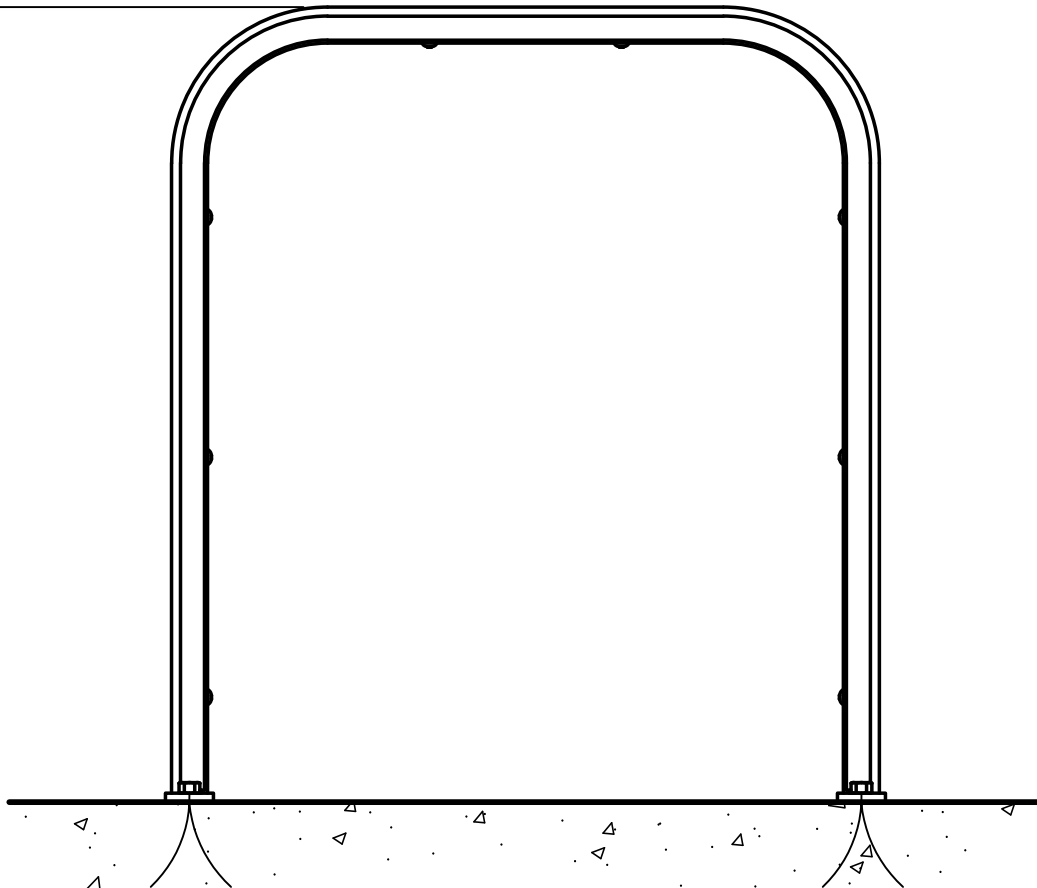


TOP VIEW

2'-9 1/8" [840 mm]

0'-0" FINISHED GRADE



FRONT VIEW

NOTE:
 CONCRETE SLAB AND ANCHORING DEVICES (BY OTHERS)
 PER LOCAL CONDITIONS. CONSULT PROJECT ENGINEER
 FOR EXACT REQUIREMENTS.

This drawing reveals the copyrighted intellectual property of Columbia Cascade Company. Not for use by others without our express, written authorization. Authorization for use is hereby granted to architects, landscape architects, and similar design professionals solely for the purpose of specifying TimberForm products.

COLUMBIA CASCADE COMPANY
 Makers of TimberForm®, PipeLine®, RePlay®
 TimberForm®-2 and CycLoops® Products.
www.TimberForm.com
 Phone: 503/223-1157 Email: HQ@TimberForm.com

Title:
CYCLOOPS® FRAMEGUARD™
 MODEL NO. 2177-01
 BIKE RACK

Scale	Drawn by: WW	04-01-21
1 1/2"=1'-0"	Ch'd by: SK	04-01-21

This drawing reveals the copyrighted intellectual property of Columbia Cascade Company. Not for use by others without our express, written authorization.

Drawing No.	Sheet
W-2177-01	1 of 1