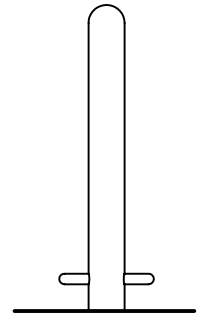
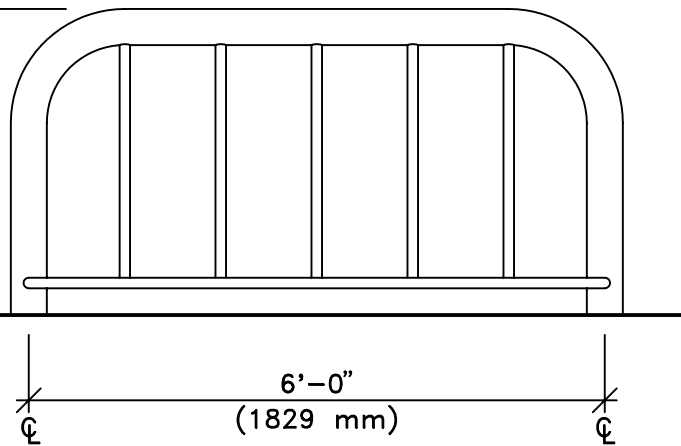


TOP VIEW
SCALE: 1/2"=1'-0"

3'-2 1/4"
(972 mm)

0'-0"
FINISHED GRADE



FRONT VIEW
SCALE: 1/2"=1'-0"

END VIEW
SCALE: 1/2"=1'-0"

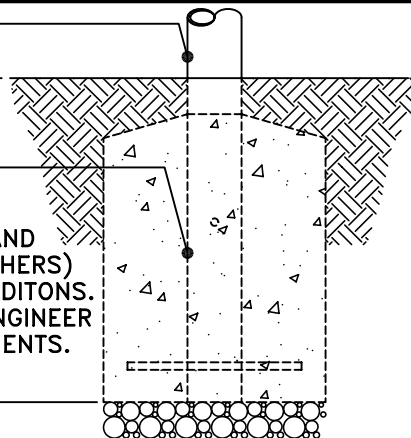
SUPER CYCLOOPS
0'-0"

FINISHED GRADE

DIRECT EMBEDMENT
POST (TYPICAL-2)

NOTE:
CONCRETE FOOTING AND
NO. 4 REBAR (BY OTHERS)
PER LOCAL SOIL CONDITIONS.
CONSULT PROJECT ENGINEER
FOR EXACT REQUIREMENTS.

-(2'-3")
-(686 mm)



2175-8-E (DIRECT EMBEDMENT)
SCALE: 3/4"=1'-0"

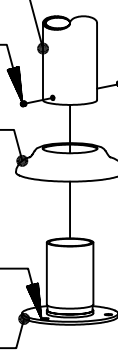
SUPER CYCLOOPS

HEX SOCKET SET SCREW
(TYPICAL-4)

BASE COVER
(TYPICAL-2)

5/8" (16 mm) DIAMETER
HOLES PROVIDED FOR
ANCHORS BY OTHERS
(TYPICAL-6)

PEDESTAL MOUNT BASE
(TYPICAL-2)



2175-8-P (PEDESTAL MOUNT)
SCALE: 3/4"=1'-0"

This drawing reveals the copyrighted intellectual property of Columbia Cascade Company. Not for use by others without our express, written authorization.

Authorization for use is hereby granted to architects, landscape architects and similar design professionals solely for the purpose of specifying TimberForm products.



COLUMBIA CASCADE COMPANY

Makers of TimberForm®, PipeLine®, RePlay®, TimberForm®-2, InterPlay®, CycLoops® and CycLocker® Products.

1300 S.W. Sixth Avenue, Suite 310 Telephone 503/223-1157
Portland, Oregon 97201-3464 Facsimile 503/223-4530
U.S.A.

WWW.TIMBERFORM.COM

Title:
TIMBERFORM CYCLOOPS
MODEL NO. 2175-8
SUPER CYCLOOPS



Scale NOTED
Drawn by: AT 07-04-10
Ck'd by:

Drawing No.
W-2175-8

Sheet
1 of 1