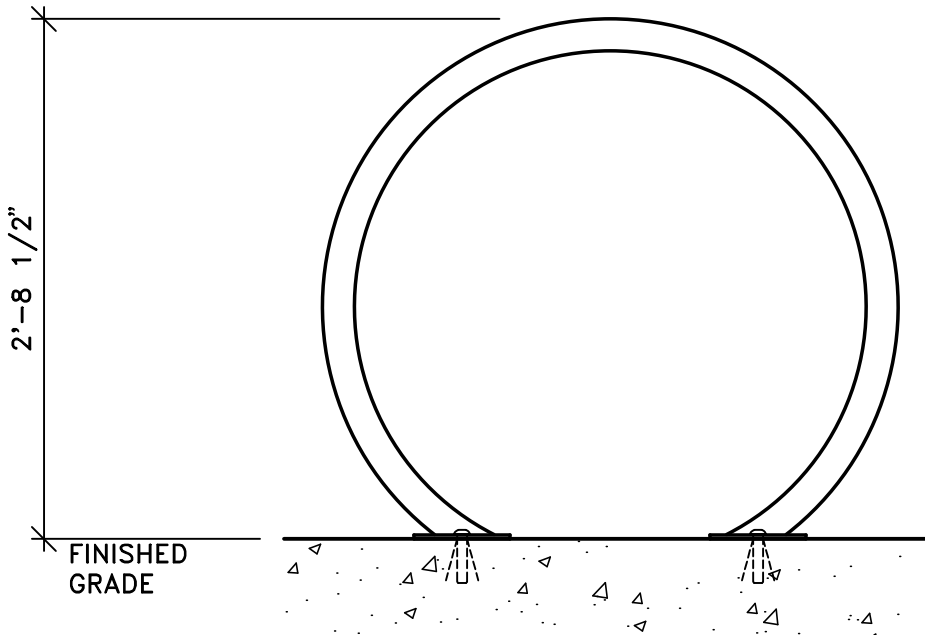


PLAN VIEW

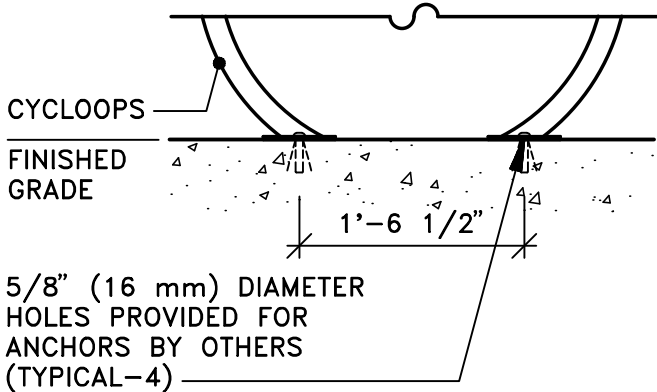
SCALE: 1"=1'-0"



ELEVATION

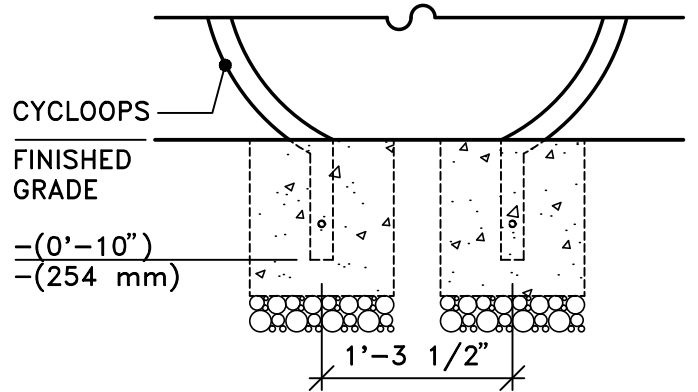
SCALE: 1"=1'-0"

NOTE:
CONCRETE SLAB AND ANCHORING DEVICES (BY OTHERS) PER LOCAL CONDITIONS. CONSULT PROJECT ENGINEER FOR EXACT REQUIREMENTS.



5/8" (16 mm) DIAMETER HOLES PROVIDED FOR ANCHORS BY OTHERS (TYPICAL-4)

2170-3-04-SM (SURFACE MOUNT)
SCALE: 3/4"=1'-0"



2170-3-04-E (EMBEDMENT)
SCALE: 3/4"=1'-0"

Date	Revision	By
△		
△		
△		
△	05-10-13 REV. DIM.	CL
Scale	Drawn by: CL	03-01-13
NOTED	Ch'd by:	

COLUMBIA CASCADE COMPANY
Makers of TimberForm®, PipeLine®, RePlay®, TimberForm®-2 and CycLoops® Products.

1300 S.W. Sixth Avenue, Suite 310 Telephone 503/223-1157
Portland, Oregon 97201-3464 Facsimile 503/223-4530 U.S.A.

This drawing reveals the copyrighted intellectual property of Columbia Cascade Company. Not for use by others without our express, written authorization.

Title:
TIMBERFORM
MODEL NO. 2170-3-04
CYCLOOPS CIRCULO
(SQUARE TUBING)

Drawing No. **W-2170-3-04**

Sheet **1 of 1**