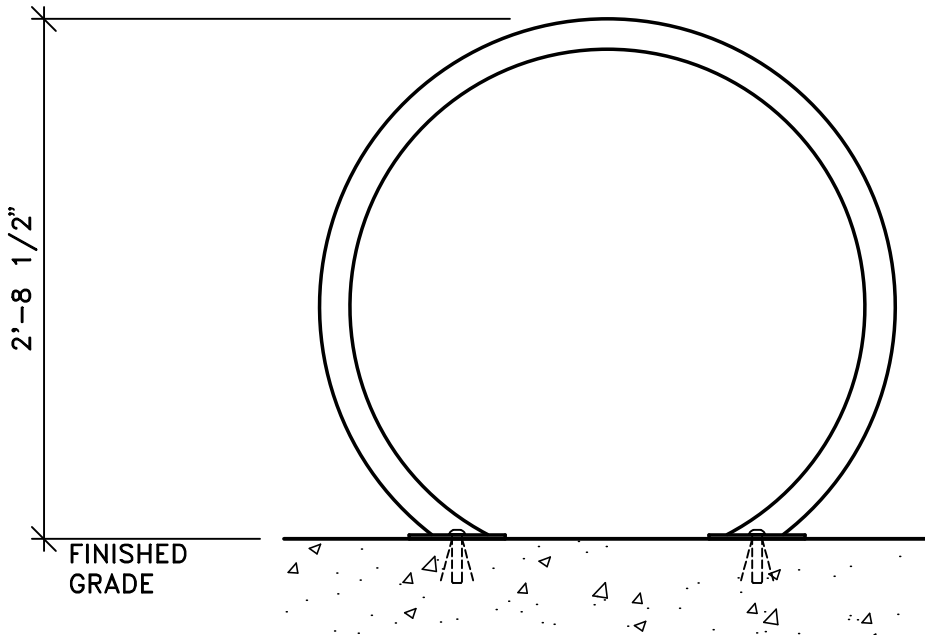


**PLAN VIEW**

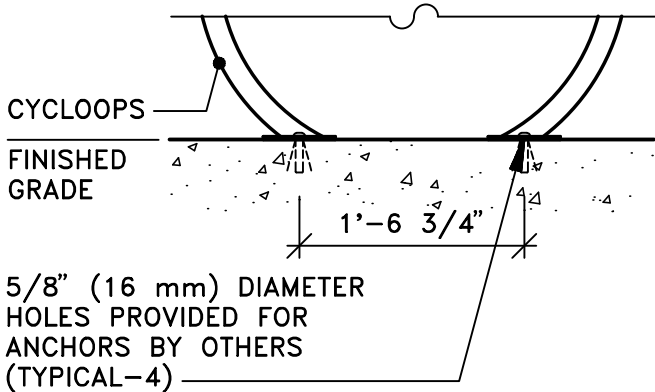
SCALE: 1"=1'-0"



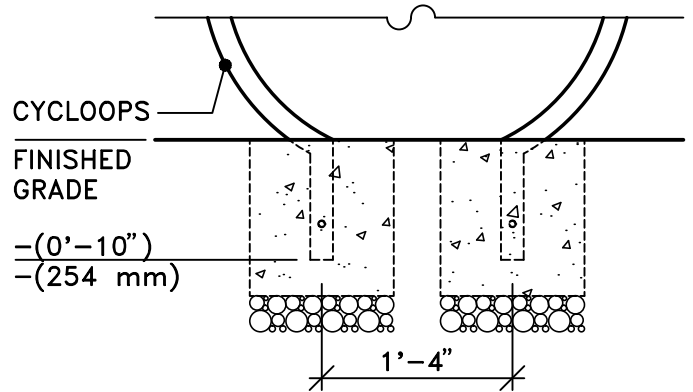
**ELEVATION**

SCALE: 1"=1'-0"

**NOTE:**  
CONCRETE SLAB AND ANCHORING DEVICES (BY OTHERS) PER LOCAL CONDITIONS. CONSULT PROJECT ENGINEER FOR EXACT REQUIREMENTS.



**2170-3-03-SM (SURFACE MOUNT)**  
SCALE: 3/4"=1'-0"



**2170-3-03-E (EMBEDMENT)**  
SCALE: 3/4"=1'-0"

Date	Revision	By
△		
△		
△		
△		

Scale	Drawn by: CL	03-01-13
NOTED	Ch'd by:	

**COLUMBIA CASCADE COMPANY**  
 Makers of TimberForm®, PipeLine®, RePlay®, TimberForm®-2 and CycLoops® Products.  
 1300 S.W. Sixth Avenue, Suite 310 Telephone 503/223-1157  
 Portland, Oregon 97201-3464 Facsimile 503/223-4530  
 U.S.A.

Title:  
**TIMBERFORM**  
 MODEL NO. 2170-3-03  
**CYCLOOPS CIRCULO**  
 (ROUND PIPE)

Drawing No. **W-2170-3-03**

Sheet **1 of 1**

This drawing reveals the copyrighted intellectual property of Columbia Cascade Company. Not for use by others without our express, written authorization.