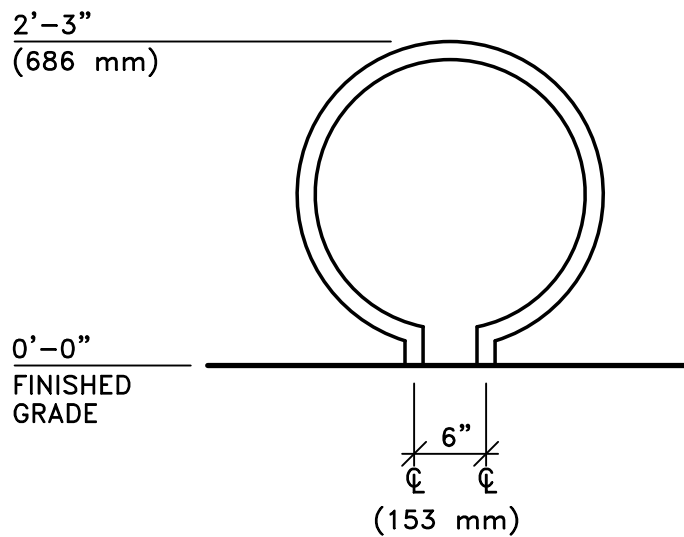
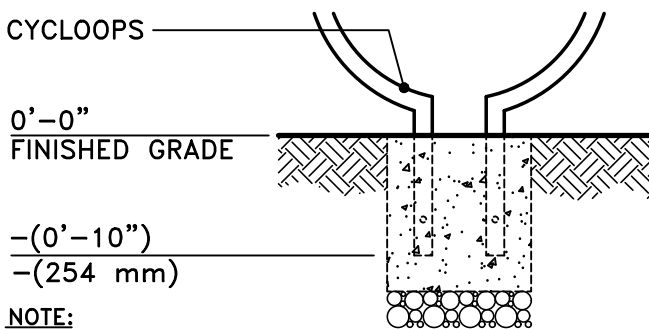


TOP VIEW

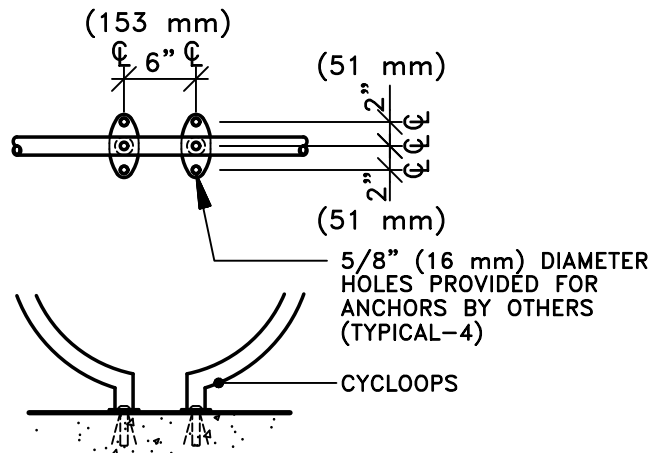


FRONT VIEW



**NOTE:**  
 CONCRETE FOOTING AND NO. 4 REBAR (BY OTHERS) PER LOCAL SOIL CONDITIONS. CONSULT PROJECT ENGINEER FOR EXACT REQUIREMENTS.

2170-3-05-E (EMBEDMENT)



2170-3-05-SM (SURFACE MOUNT)

This drawing reveals the copyrighted intellectual property of Columbia Cascade Company. Not for use by others without our express, written authorization.

Authorization for use is hereby granted to architects, landscape architects and similar design professionals solely for the purpose of specifying TimberForm products.

**COLUMBIA CASCADE COMPANY**  
 Makers of TimberForm®, PipeLine®, RePlay®, TimberForm®-2 and CycLoops® Products.

[www.TimberForm.com](http://www.TimberForm.com)

Phone: 503/223-1157 Email: HQ@TimberForm.com

Title: **TIMBERFORM CYCLOOPS**  
 MODEL NO. 2170-3-05  
 CIRCULO

04-26-21 SM MOUNTING PLATE BE

Scale: 3/4" = 1'-0"  
 Drawn by: AT 07-30-18  
 CK'd by: lan 07-30-18

This drawing reveals the copyrighted intellectual property of Columbia Cascade Company. Not for use by others without our express, written authorization.

Drawing No. W-2170-3-05

Sheet 1 of 1